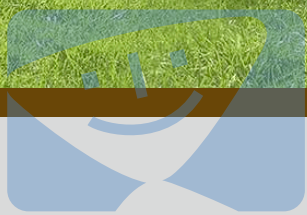
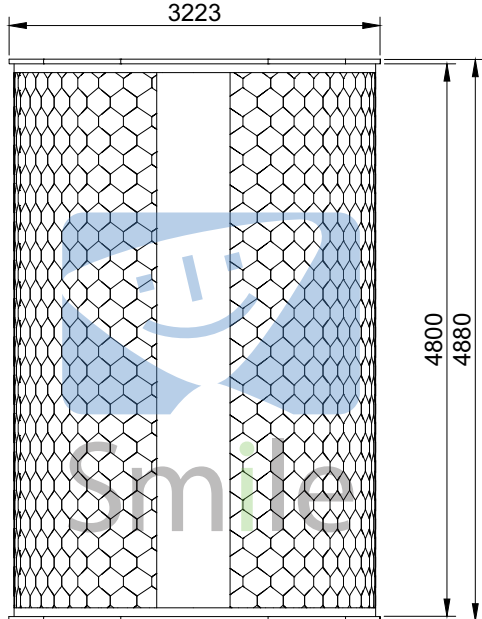
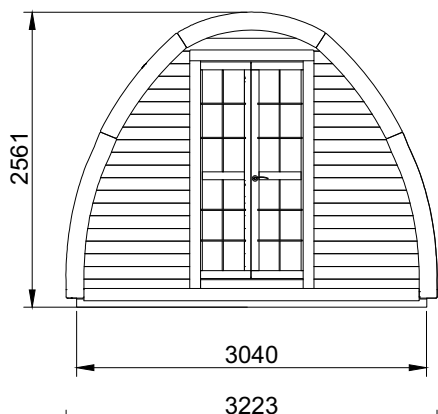
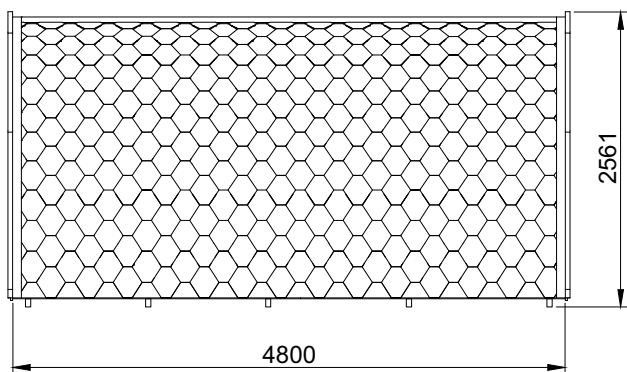
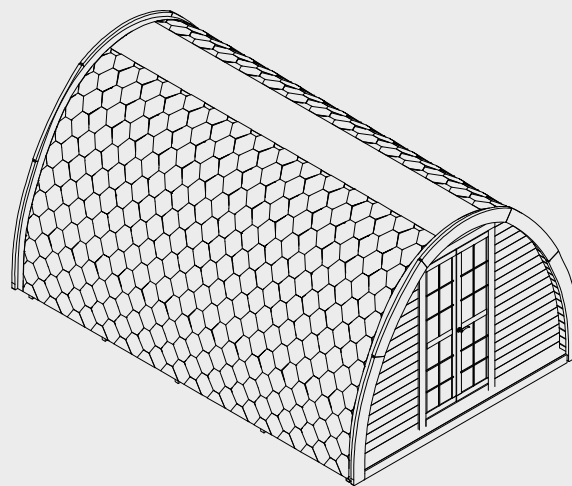
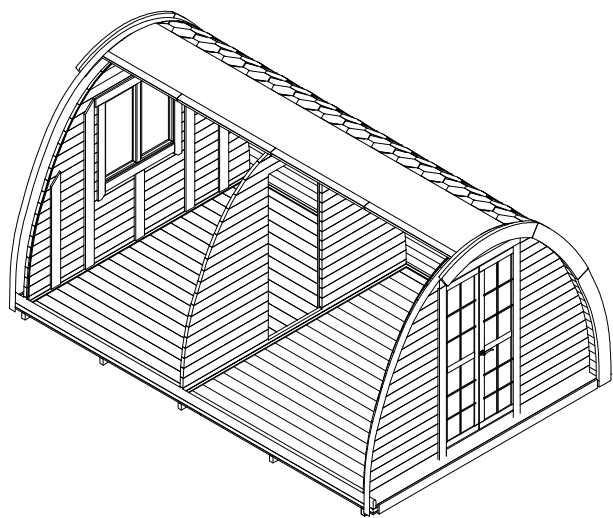


Products group:
CAMPING PRODUCTS

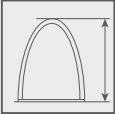
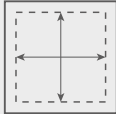
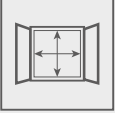
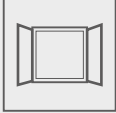

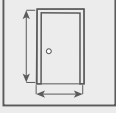
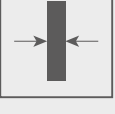




*For your garden
beauty growth!*

PRODUCT SHEET
**Insulated Camping
Pod**

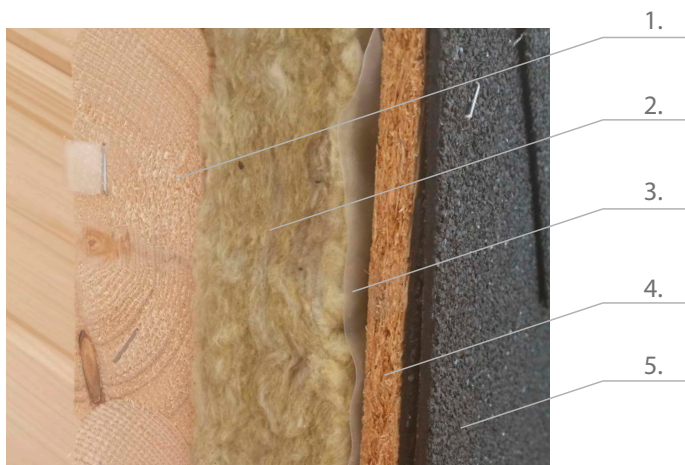


Product Specifications

| | | | |
|---|--------------|---|------------------------------------|
|  | 2560 mm |  | 13.4 m ² |
|  | 925 x 950 mm |  | 1 |
|  | 4-10 |  | 900 x 1790 mm |
|  | 38 mm |  | Not assembled 4.8 x 1.2 x 2.6 m |
|  | Spruce | | |

Standard Set

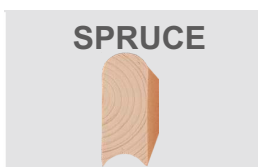
- Pod made from spruce;
- Roof covered with bitumen shingles of your selected color;
- Opening window in the back wall;
- Double doors with a lock and the double glass windows;
- Two rooms inside.



Pod insulation:

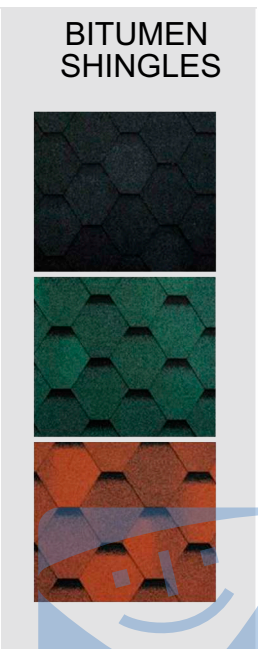
- 1. Wall made from spruce
- 2. Rockwool 5cm
- 3. Wind insulating film
- 4. OSB panel
- 5. Bitumen shingles

TYPE OF WOOD

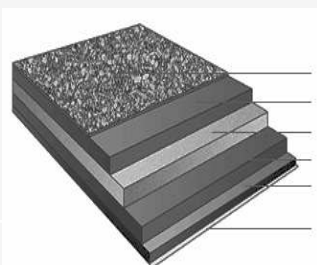


We mainly use Nordic spruce, which comes from Scandinavia. The light, golden-white softwood radiates a friendly warmth. Every single board used for our Sauna Barrel has its own individual character and history, and this makes our Sauna Barrel a real natural and unique product.

ROOF SHINGLES



6 layer bitumen shingles are made from a durable and highly resistant fiber glass base coated with the polymer-reinforced bitumen mix which includes a high quality bitumen and an aggregate. The top layer of the shingles is covered with mineral granules ensuring the protection from UV as well as from other weather conditions. The granules are painted using a thermal method, which means that a pigment is burned-in into the surface of granules and this guarantees a long durability of the color. The bottom of the shingles is an adhesive polymer-reinforced bitumen layer protected with an easily removable silicon membrane. Due to the sun heat the overlapped tiles on the top stick to each other thus forming a double hydro-insulating layer which guarantees an excellent leak resistance of the roof. A color of the roof shingles can be chosen from black, green or red. A warranty term for the shingles is 15 years!



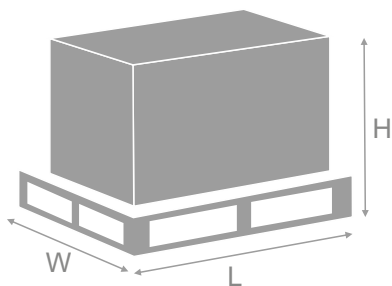
- 1. Top layer - mineral surfacing
- 2. Bitumen mass
- 3. Base - fibre glass
- 2. Bitumen mass
- 4. Bottom layer - adhesive polymer-reinforced bitumen
- 5. Protective layer - easily removed silicon membrane



WINDOWS AND DOORS

Window's size is 925 x 950 mm, door's size is 900 x 1790 mm. Double glass units and tempered glass are used; they windows ensure lower heat transfer to the outside, a lot of light coming inside, and long usage time.

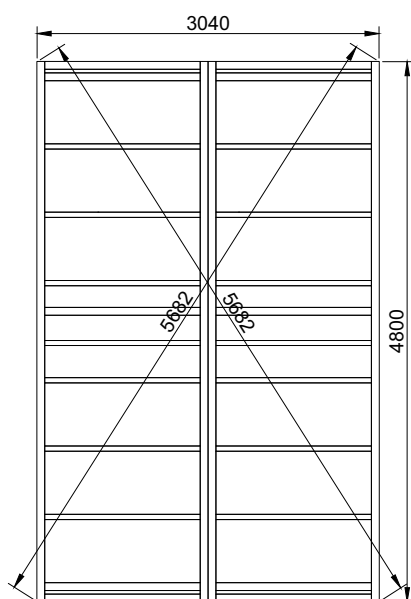
TRANSPORTATION



Pallet size:
4800 x 1200 x 2600

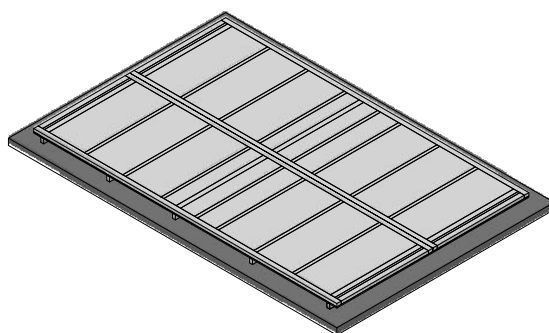
The Insulated Pod is delivered to a customer not assembled (packed on a pallet (KIT)) but fully complete. Assembly instruction of Sleeping Barrel you can download and print from www.vikingindustrier.com Dealer site(downloads) or email your Viking Industrier sales manager.

FOUNDATION



It is very important to have a proper foundation for your Pod. Therefore we recommend making the foundation according to the sketches here.

First of all, foundation must be prepared according to the landscape and ground conditions. Consult a qualified builder or an engineer to prepare a proper foundation, which fits your location. Make sure to complete the site preparation and the foundation before unpacking and assembling the pod.



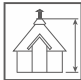
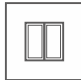



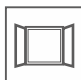
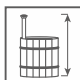

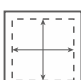
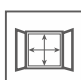
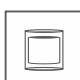

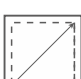
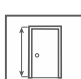


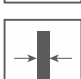

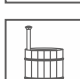
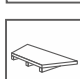


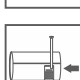

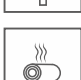
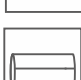
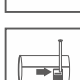
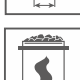
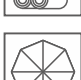
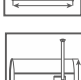

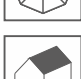
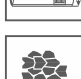

MAINTENANCE

As wood is a natural material, it can change through time. Cracks of various sizes, changes of the color as well as a structure of the wood are not the errors, but a feature of a wood. Natural wood (not impregnated) becomes grayish after having been left untouched for a while. Later it can turn blue and get covered with the mold. Therefore, you should immediately impregnate the wood to protect the products.

We strongly recommend that you impregnate the door and windows with a wood impregnation agent both the inside and outside of them, because the doors and windows can become twisted otherwise. In general, we recommend consulting a specialist regarding the paints suitable for an unprocessed softwood and follow the manufacturers' of paints instructions. Properly painting the product will extend its lifetime. Besides that, we suggest you thoroughly inspecting the product every six months and checking if it needs re-painting or else. It's NOT advisable to paint the walls before assembling it – this is best done when the product has been already assembled and when the weather is fine. However, if you wish to paint some parts in different colors, this should be done before the product is assembled.

Smile

Symbols

| | | | | | | | |
|--|---------------------------|---|---------------------------|---|---------------------------------------|---|-----------------------------|
|  | Height of roof ridge |  | Total number of windows |  | Height of tub |  | Number of persons |
|  | Height of wall |  | Number of opening windows |  | Total height of tub |  | Tub shape |
|  | Area |  | Size of windows |  | Water capacity of tub |  | Diameter of tub |
|  | Diagonal |  | Size of doors |  | With external wood burning heater |  | Height of pod |
|  | Wall thickness |  | Weight |  | With internal wood burning heater |  | Number of benches |
|  | Wood spruce |  | Size of pallet (LxWxH) |  | Heater with external firewood feeding |  | Doghouse entrance hole size |
|  | Thermo wood |  | Length of barrel |  | Inside feeding heater |  | Wood burning heater |
|  | Shape |  | Diameter of sauna barrel |  | Electric heater | | |
|  | Measurements of extension |  | Stones for heater |  | Voltage | | |

